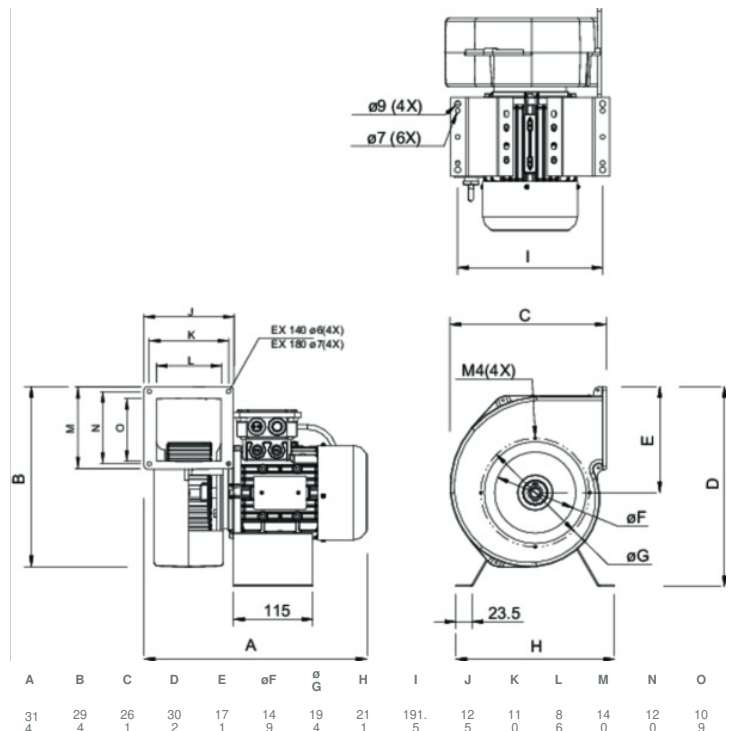


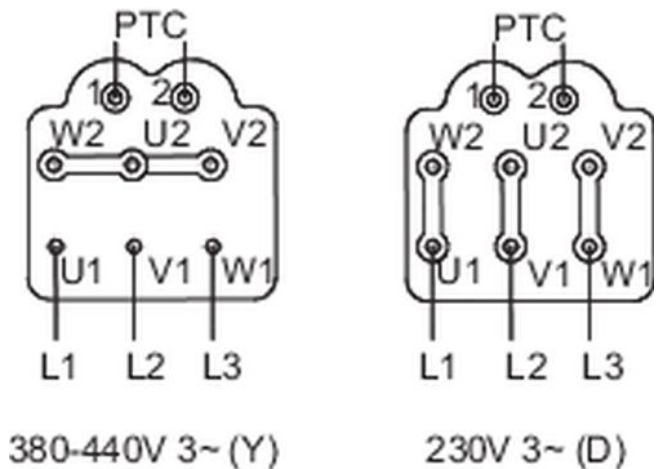
Technical parameters

Nominal data	
Voltage (nominal)	400 V
Frequency	60 Hz
Phases	3~
Input power	314 W
Input current	0.642 A
Impeller speed	1.635 rpm
Air flow	max 285 L/s
Temperature of transported air	max 60 °C
Max temperature of transported air, when speed controlled	60 °C
Sound data	
Sound pressure level at 3m (20m ² Sabin)	54 dB(A)
Protection/Classification	
Enclosure class, motor	IP65
Insulation class	F
Explosion proof marking	II 2 G Ex db eb h IIB+H2 T4 Gb
Certificate	Presafe 16ATEX8598X
Data according to ErP	
ErP ready	Not ErP relevant
Ambient and duct temperature	
Ambient and duct temperature	-20 to 60 °C
Dimensions and weights	
Weight	6.4 kg
Others	
Motor type	AC

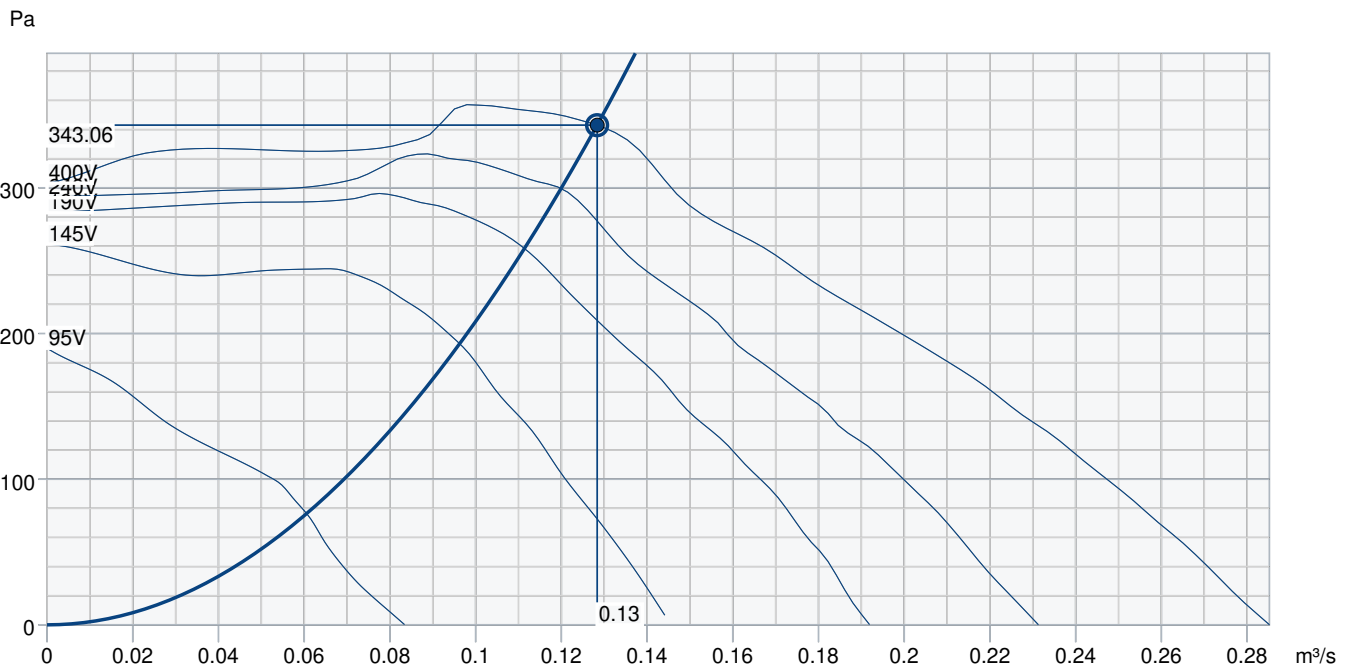
Dimension



Wiring



Performance curve



Hydraulic data

Required air flow	0.13 m³/s
Required static pressure	343 Pa
Working air flow	0.13 m³/s
Working static pressure	343 Pa
Air density	1.204 kg/m³
Power	141.8 W
Fan control - RPM	1,754 rpm
Current	0.50 A
SFP	1.104 kW/m³/s
Control voltage	400.0 V
Supply voltage	400 V

Sound power level		63	125	250	500	1k	2k	4k	8k	Total
Inlet	dB(A)	58	59	70	66	66	63	59	54	74
Outlet	dB(A)	58	62	67	71	67	61	58	53	74
Surrounding	dB(A)	25	31	42	46	58	57	50	43	61
Sound pressure level at 3m (20m² Sabine)	dB(A)	-	-	-	-	-	-	-	-	54
Sound pressure level at 3m free field	dB(A)	-	-	-	-	-	-	-	-	40

Accessories

R-DK4 KT Transformer (302568) (6051)

RTRDU 2 Speed contr. Systemair (5945)

Safety switch 3-pole grey (210680)

Connection. kit EX180A-160 (135704)

RTRD 2 Speed Cont. Systemair (5941)

U-EK230E Motor protection (30199)

FKX 140/180 Bracket EX-fan (1556)

Documents

IMO(CE)_EX 140_180.pdf

DNV_22_UKQAN_44923_EX_FANS_20220829.PDF

Presafe_EU-Type Examination Cert. 16_ATEX_8598_X_Issue4.pdf

Presafe_Production Quality_16 ATEX 8871Q_issue 2.PDF